



(12) **United States Design Patent**

(10) **Patent No.:**

(45) **Date of Patent:** \*\* **Mar. 9, 2010**

(54) **BOBBIN WINDER**

7,325,766 B1 \* 2/2008 Schunck ..... 242/485.7

(75) Inventors:

**OTHER PUBLICATIONS**

www.cottonpatch.co.uk/acatalog/Sewing\_Machine\_Accessories.html (1 page); Side Winder—Portable Bobbin Winder; Ref. 9535 printed Nov. 18, 2009.  
http://nbdingming.en.alibaba.com/product/218253993-200158009; mini automatic bobbin winder thread winding machine (DM-24) (4 pages); printed Nov. 18, 2009.  
http://www.trinityquilts.com; Sidewinder—The Portable Bobbin Winder #88175; (2 pages) printed Nov. 18, 2009.

\* cited by examiner

*Primary Examiner*—Sandra Snapp  
*Assistant Examiner*—Patricia Palasik

(74) *Attorney, Agent, or Firm*—J. Bennett Mullinax, LLC

(73) Assignee: **Prym Consumer USA Inc.**, Pittsburgh, PA (US)

(\*\*) Term: **14 Years**

(57) **CLAIM**

(21) Appl. No.: **29/316,393**

The ornamental design for a bobbin winder, as shown and described.

(22) Filed: **Sep. 21, 2009**

**DESCRIPTION**

(51) **LOC (9) Cl.** ..... **15-99**

FIG. 1 is a perspective view of the bobbin winder of the present design;

(52) **U.S. Cl.** ..... **D15/199**

FIG. 2 is a front view of the bobbin winder as shown in FIG. 1;

(58) **Field of Classification Search** ..... D3/24;

FIG. 3 is a rear view of the bobbin winder as shown in FIG. 1;

D13/118; D15/72, 199; 112/279, 302; 242/1, 242/149, 390, 405, 419.4, 484.7, 484.8, 485.7, 242/486.6, 486.8, 571.5, 577.1, 588, 905

FIG. 4 is a top plan view of the bobbin winder as shown in FIG. 1;

See application file for complete search history.

FIG. 5 is a bottom plan view of the bobbin winder as shown in FIG. 1;

(56) **References Cited**

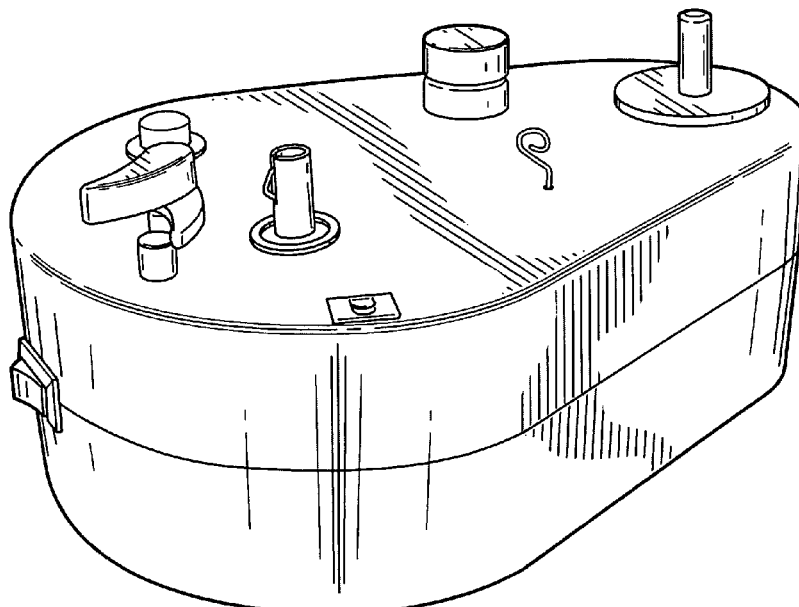
FIG. 6 is a right side elevation view of the bobbin winder as shown in FIG. 1; and,

**U.S. PATENT DOCUMENTS**

FIG. 7 is a left side view of the bobbin winder as shown in FIG. 1.

- 3,581,687 A \* 6/1971 Meier et al. .... 112/279
- 4,588,139 A \* 5/1986 Lines ..... 242/483.9
- 4,646,982 A \* 3/1987 Spring ..... 242/484.8
- 6,036,136 A \* 3/2000 Bobo ..... 242/485.7

**1 Claim, 7 Drawing Sheets**



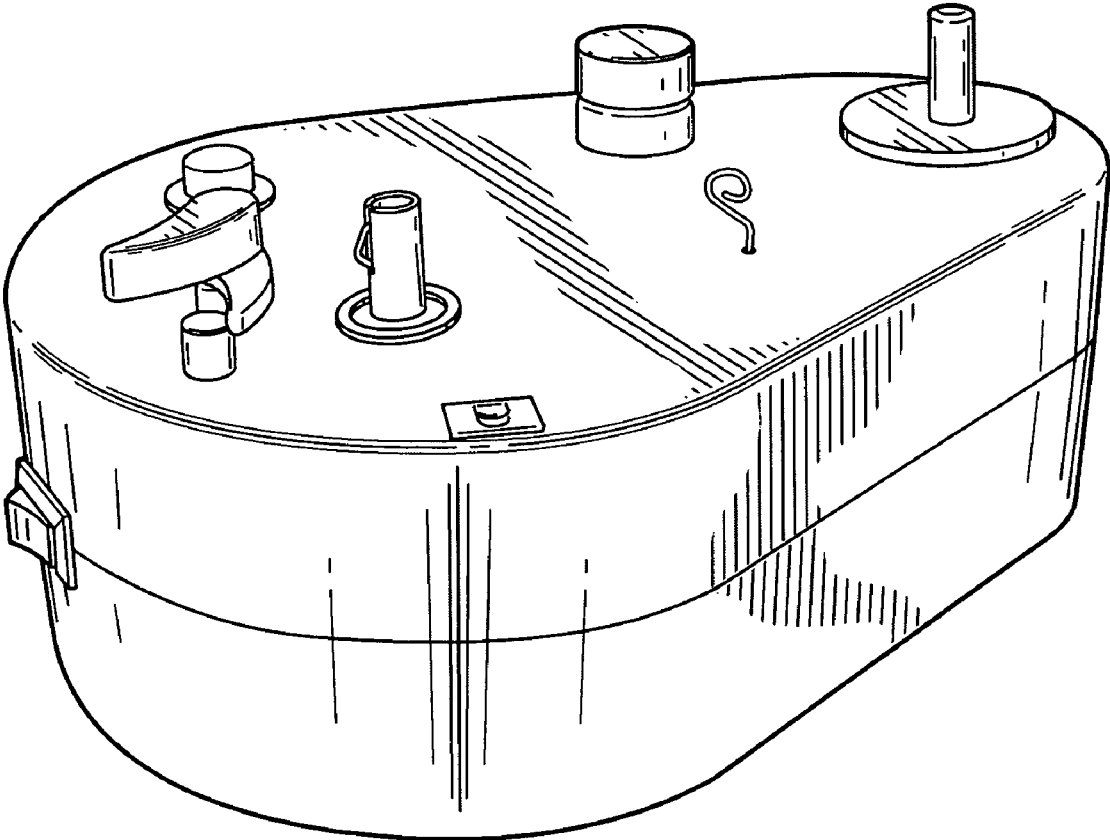


FIG. 1

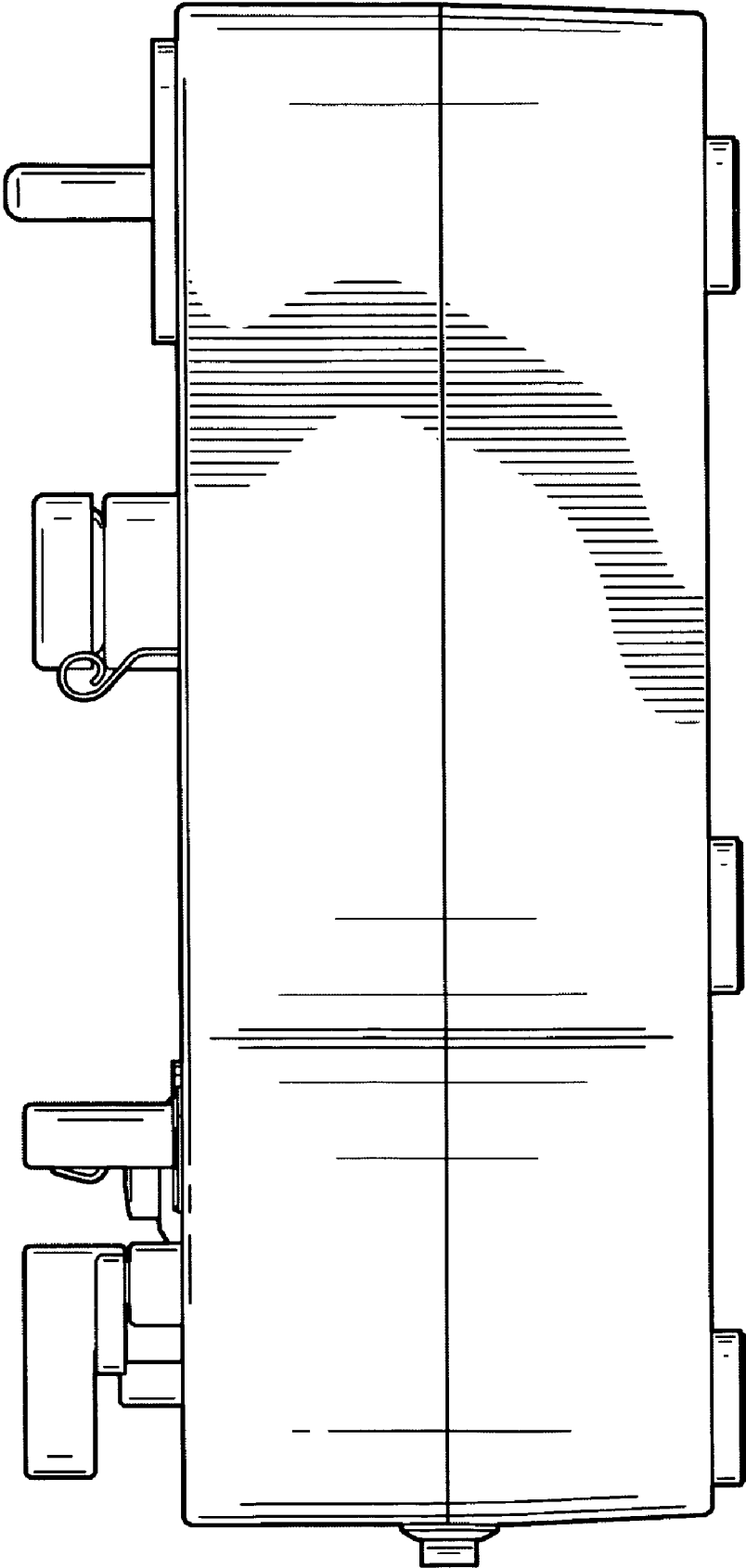


FIG. 2

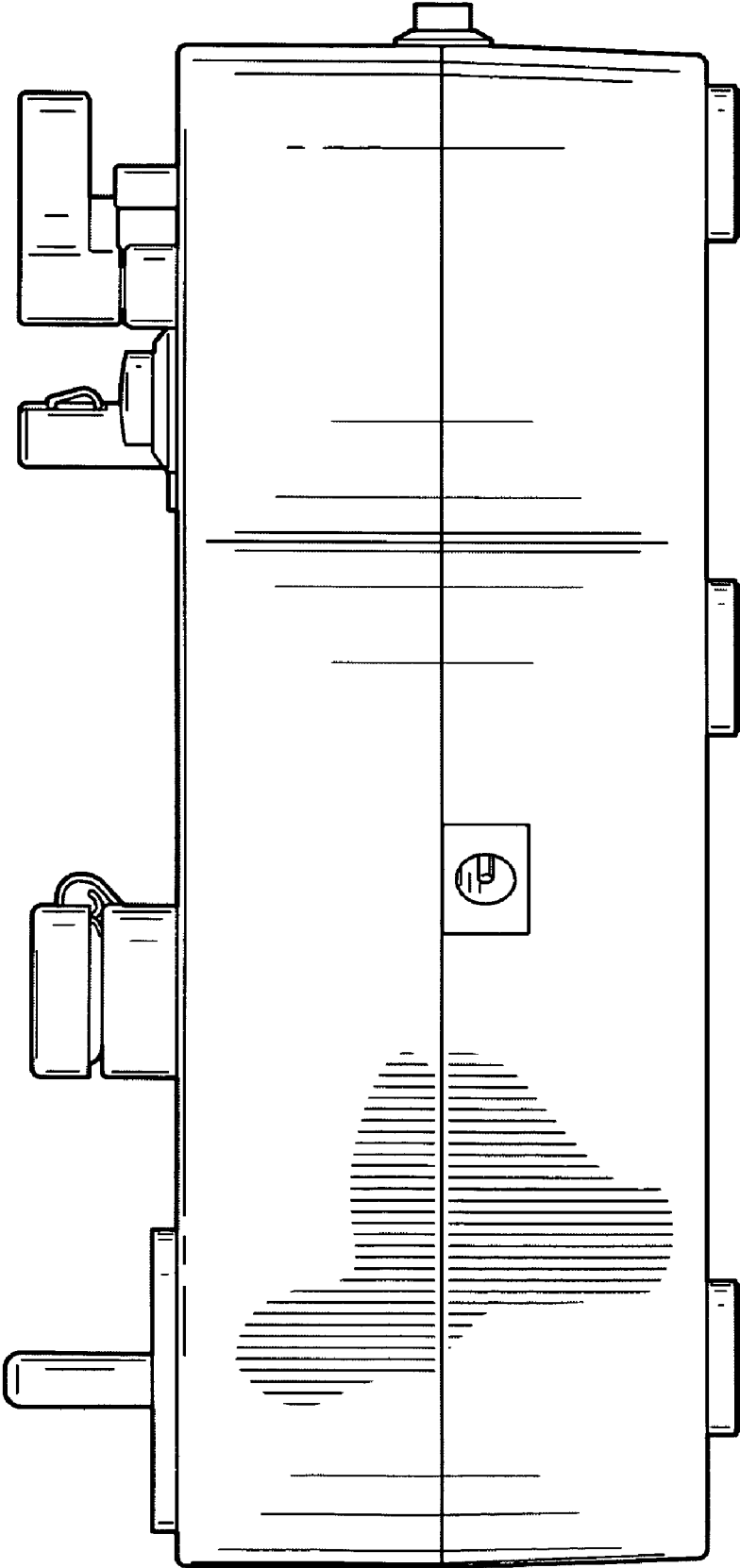


FIG. 3

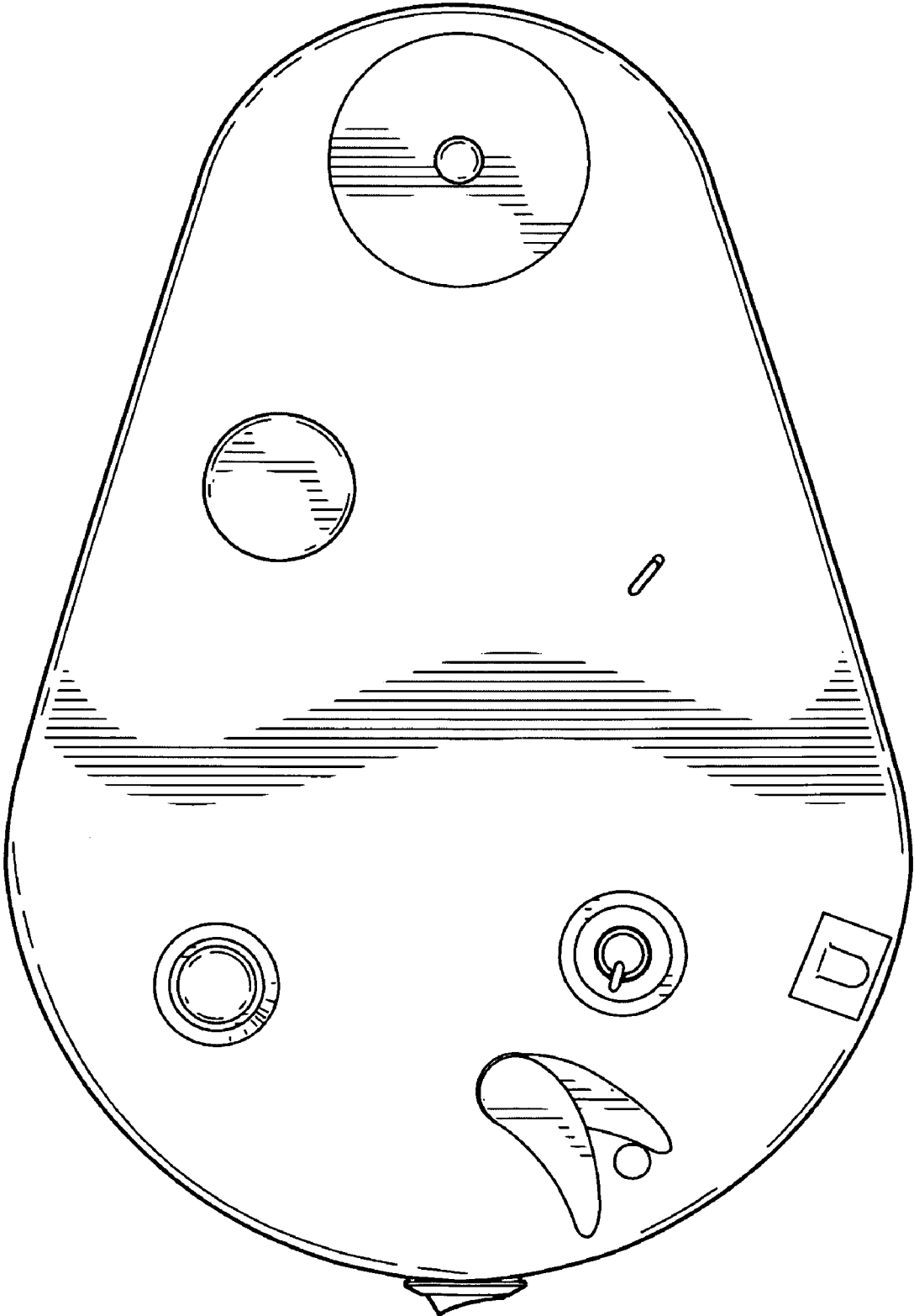


FIG. 4

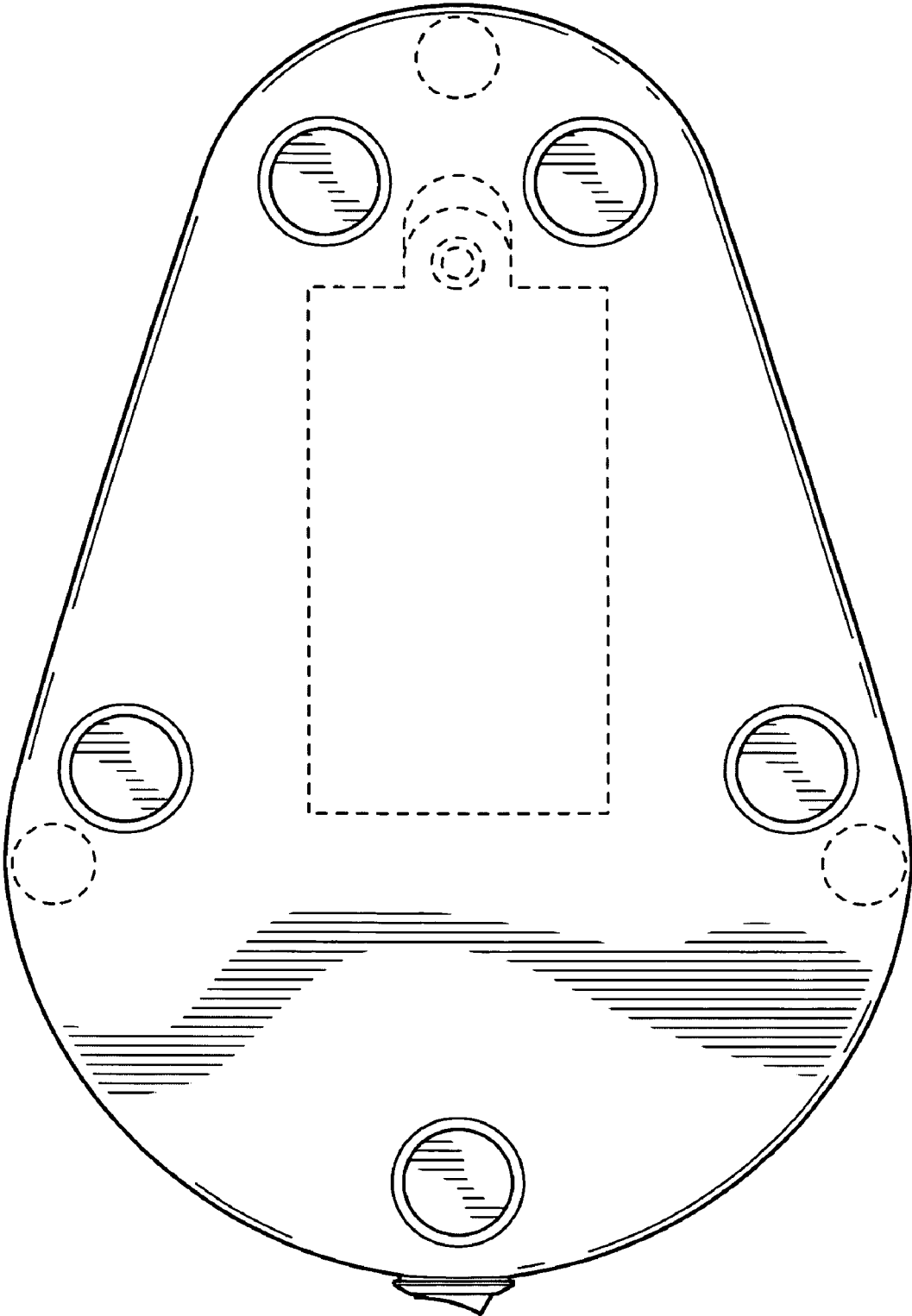


FIG. 5

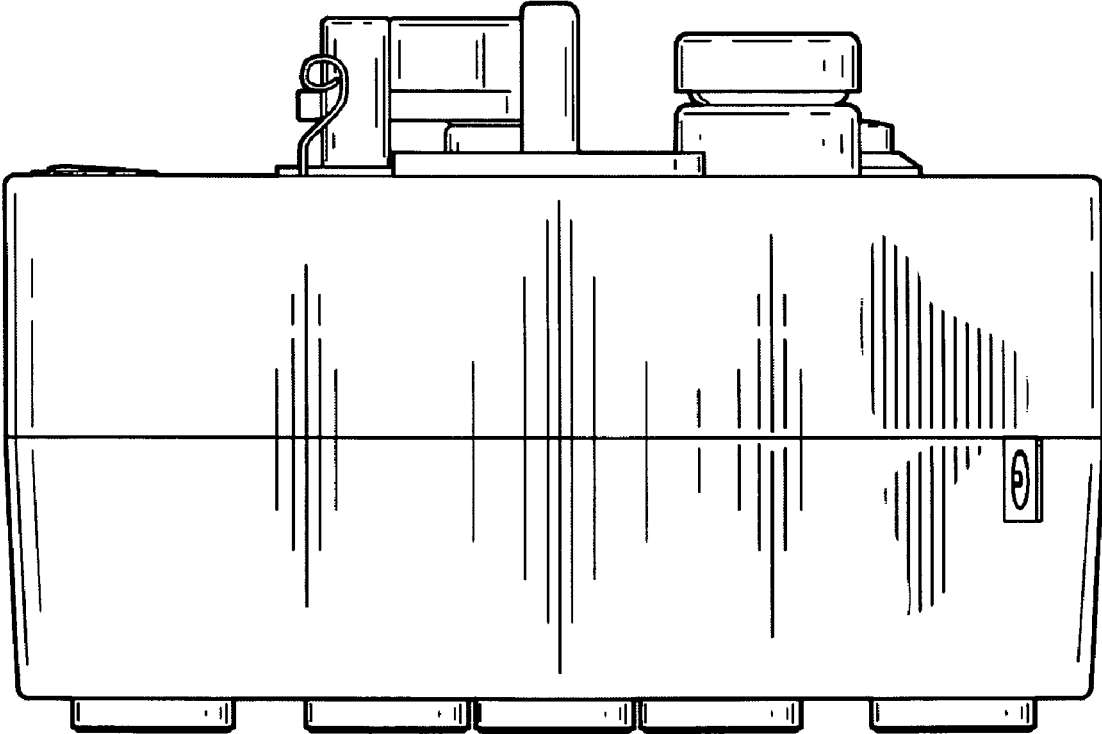


FIG. 6

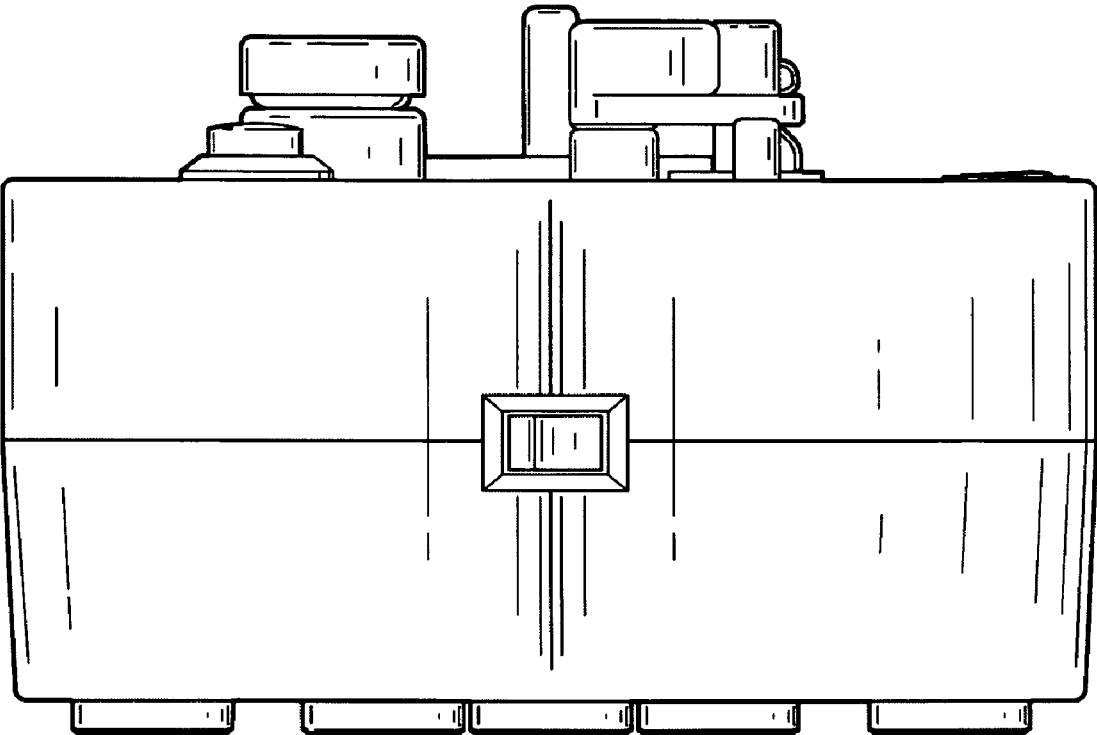


FIG. 7